

SB/SBA



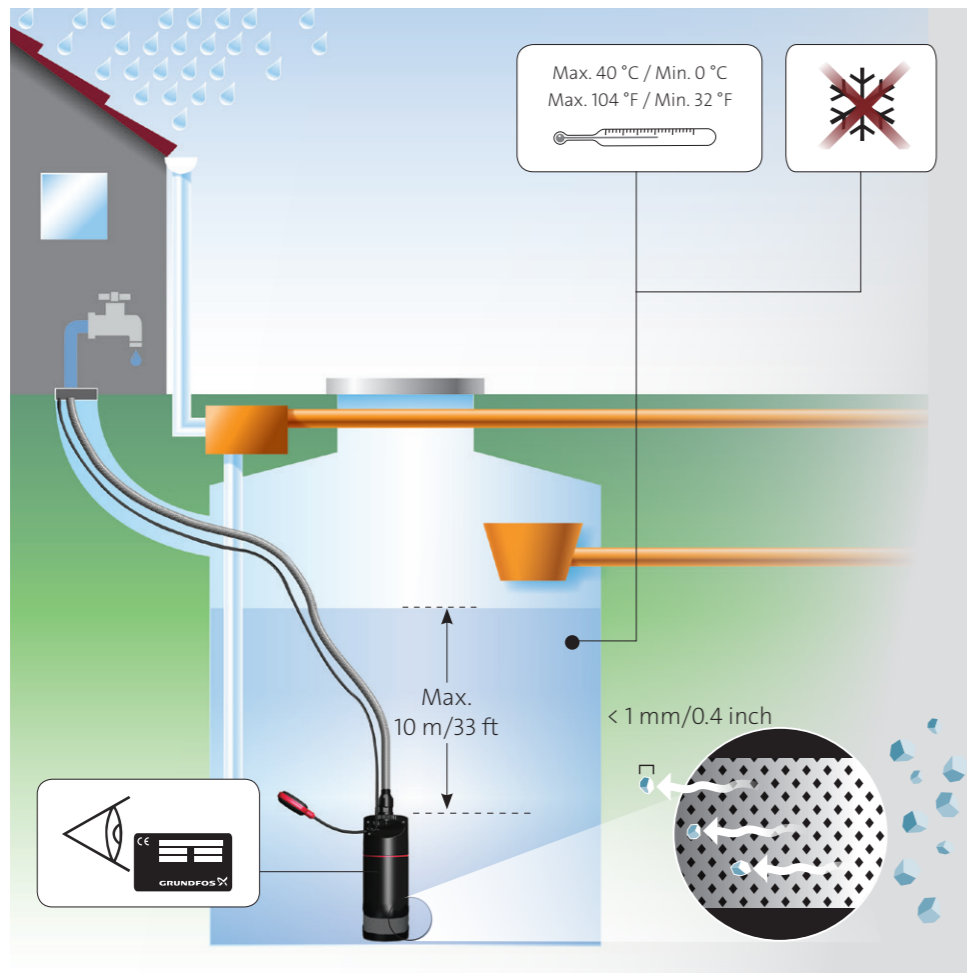
Further product
documentation



net.grundfos.com/qr/i/99057358

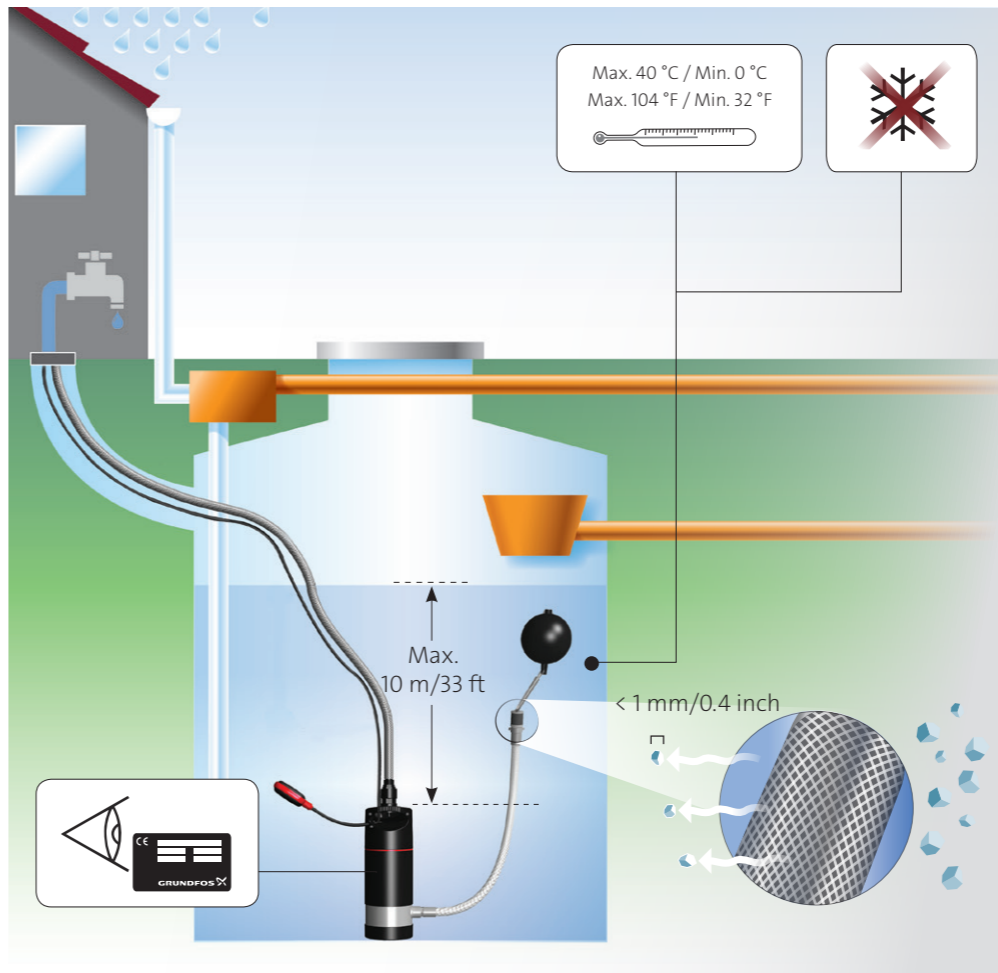
SB
SBA

STRAINER

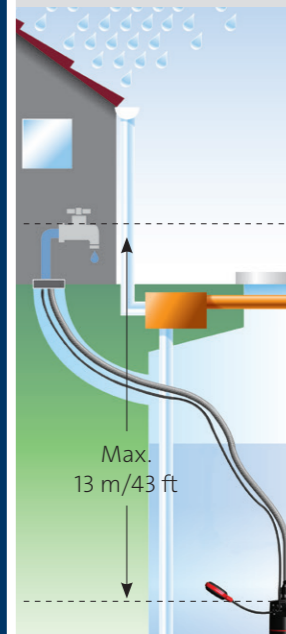


SB
SBA

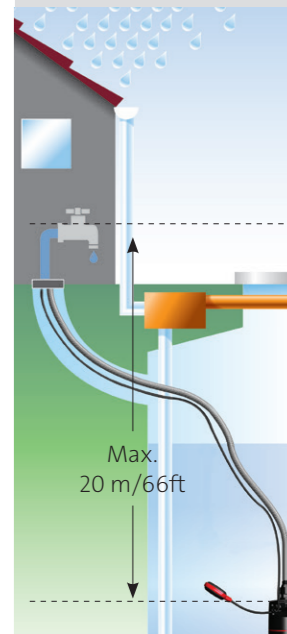
SIDE INLET



SBA 3-35

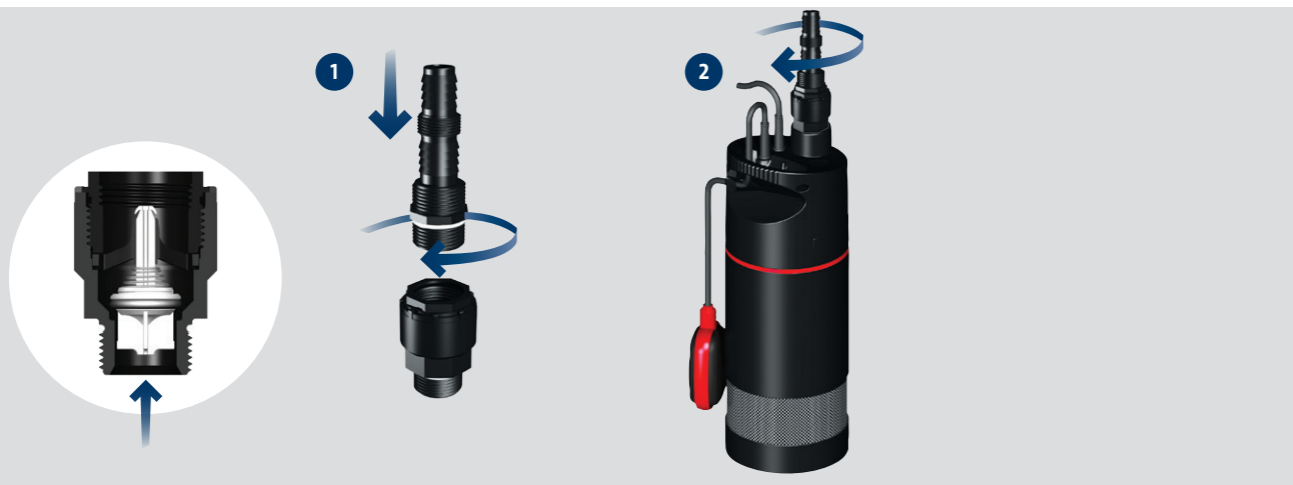


SBA 3-45



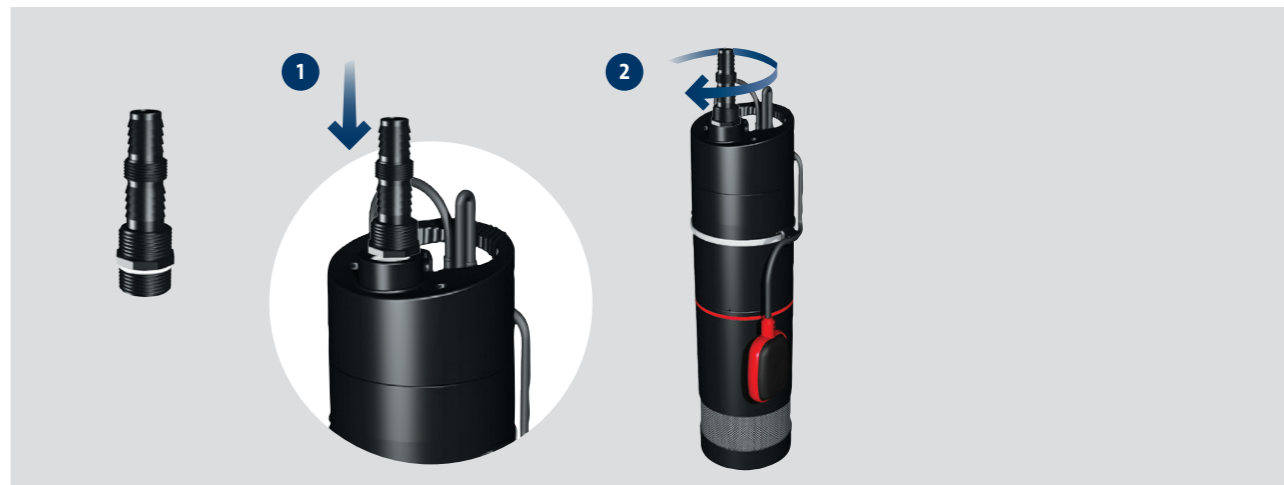
SB

STRAINER



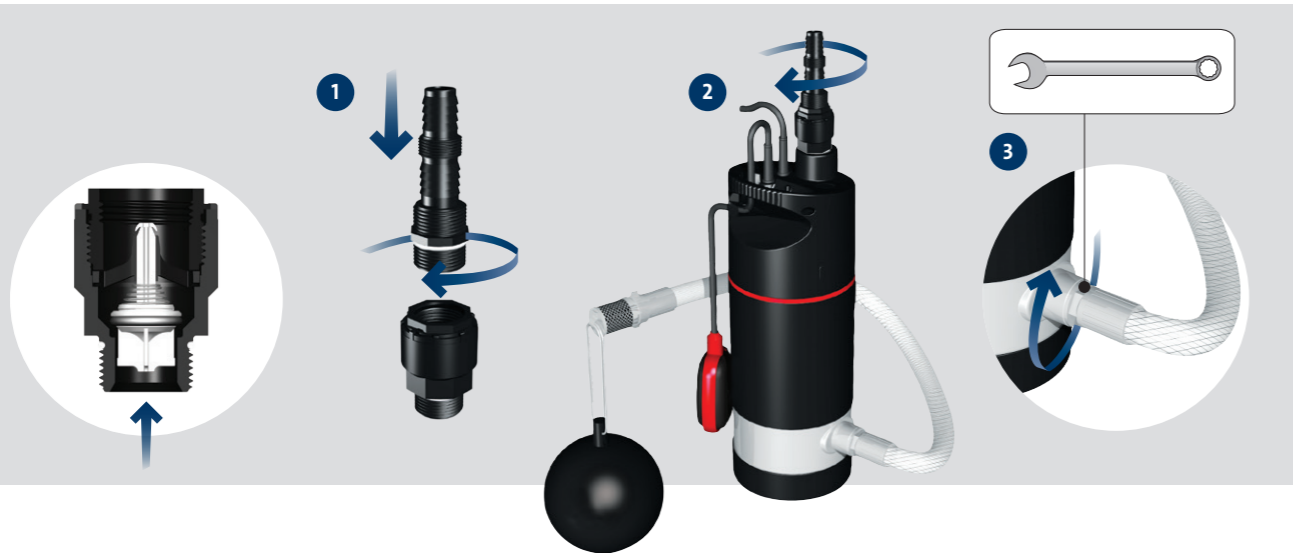
SBA

STRAINER



SB

SIDE INLET



SBA

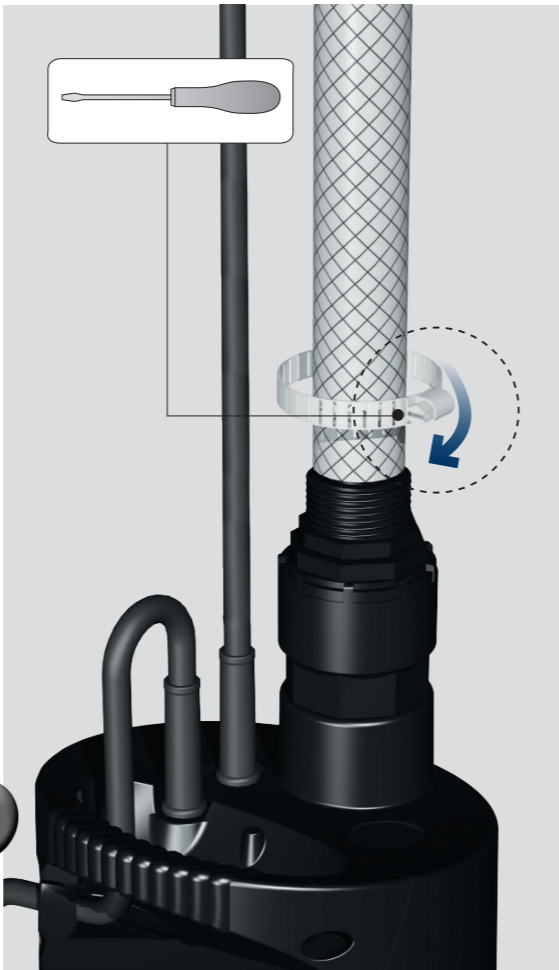
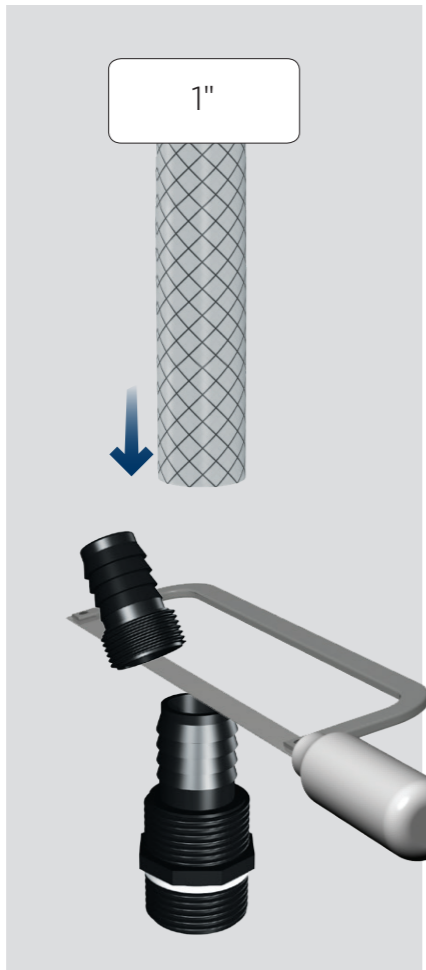
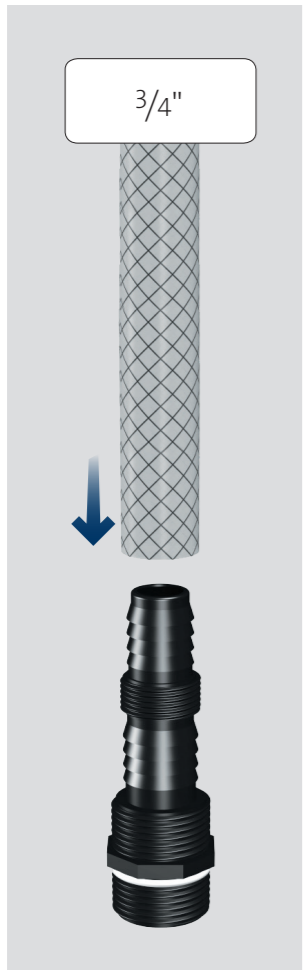
SIDE INLET



SB
SBA

STRAINER

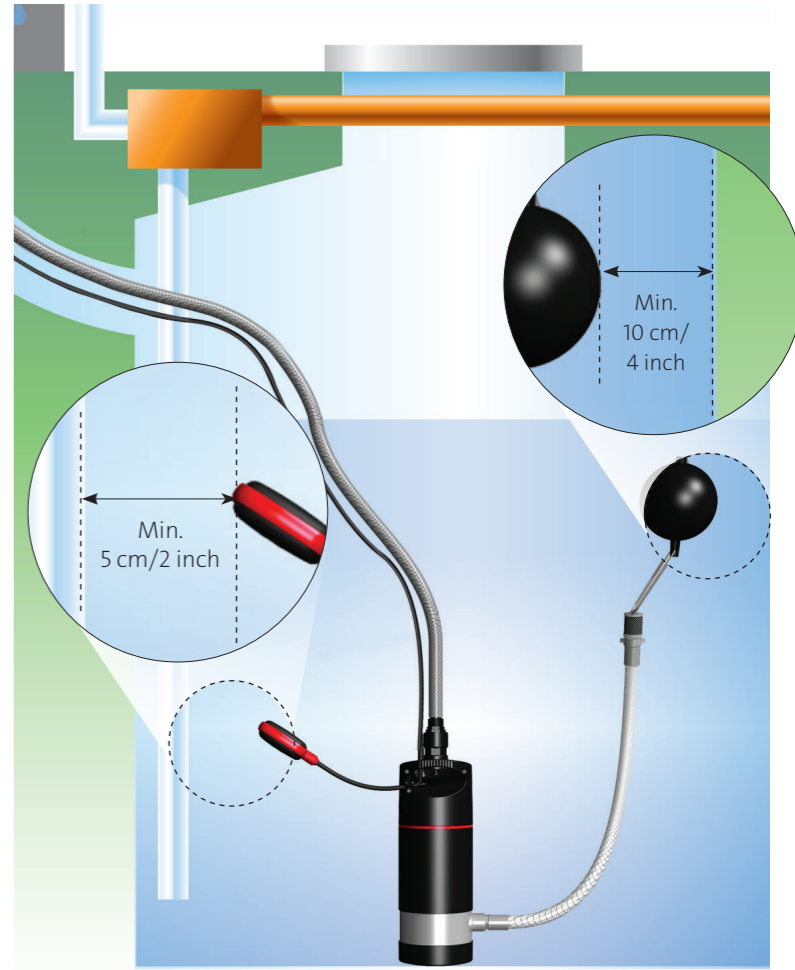
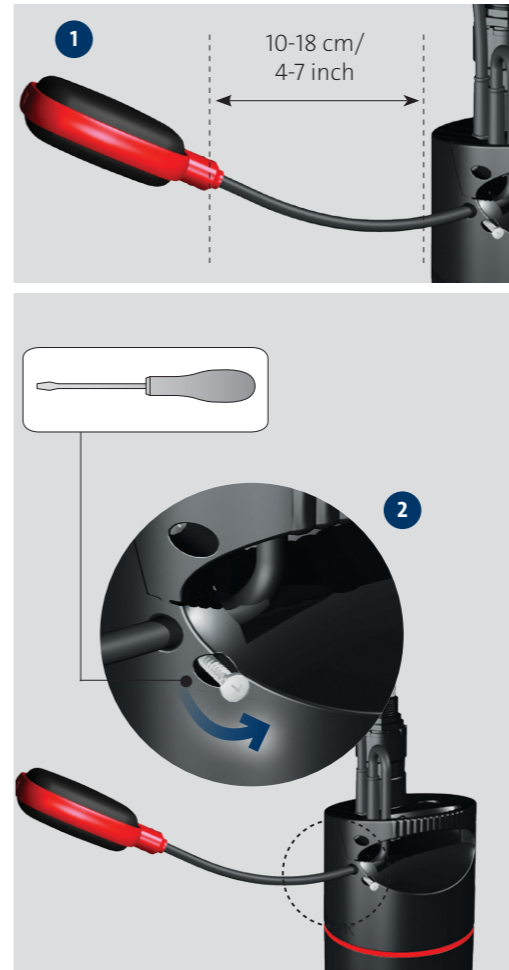
SIDE INLET



SB
SBA

STRAINER

SIDE INLET



SB

STRAINER

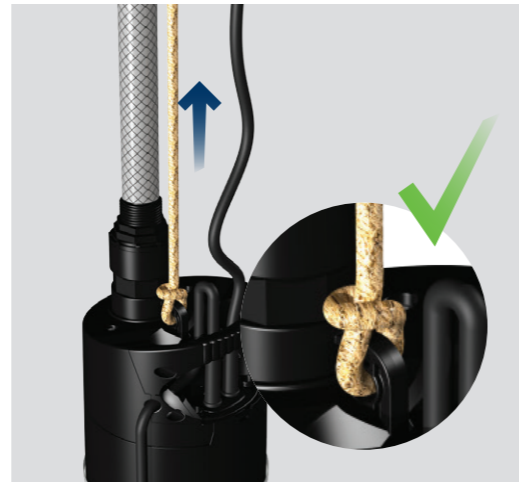
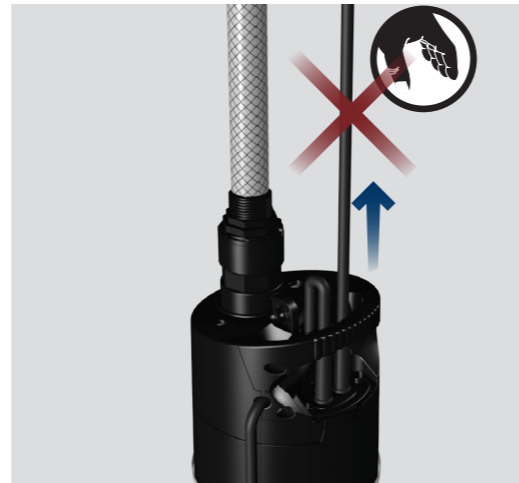
SIDE INLET



SBA

STRAINER

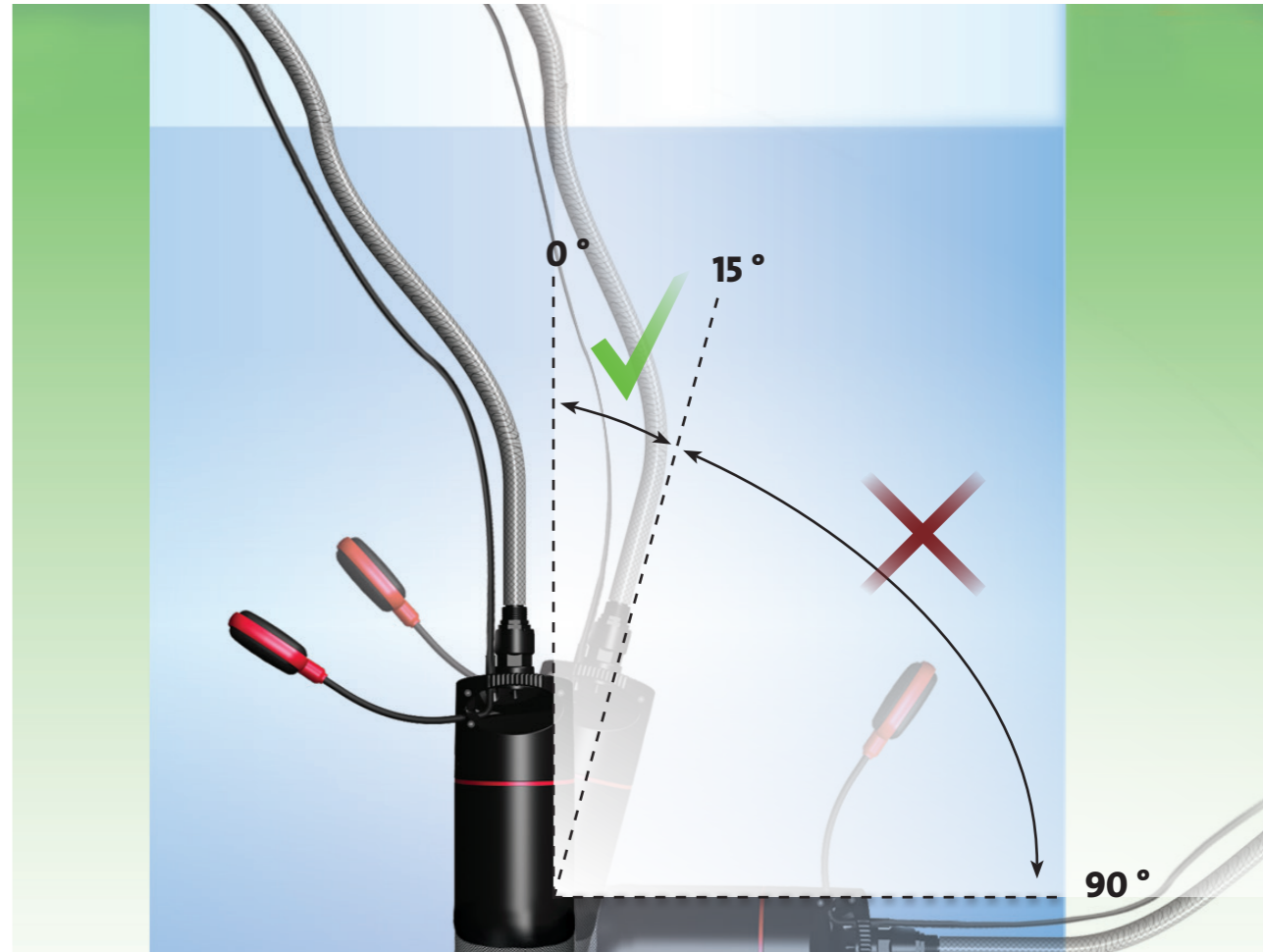
SIDE INLET



SB
SBA

STRAINER

SIDE INLET



SB
SBA

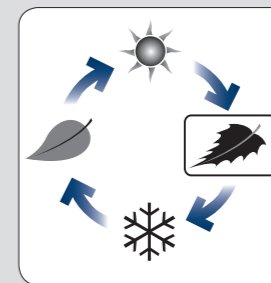
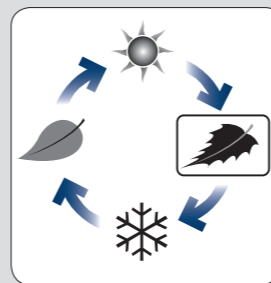
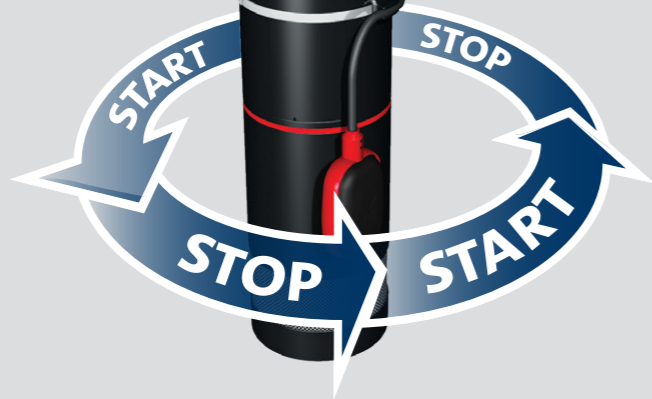
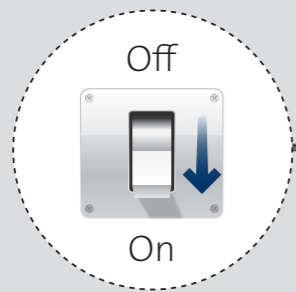
STRAINER



SIDE INLET



Max. 20 starts
per 60 minutes.



be think innovate

98159397 0816

ECM: 1178728

GRUNDFOS Holding A/S
Poul Due Jensens Vej 7
DK-8850 Bjerringbro
Tel: +45 87 50 14 00
www.grundfos.com

GRUNDFOS 

The name Grundfos, the Grundfos logo, and be think innovate are registered trademarks owned by Grundfos Holding A/S or Grundfos A/S, Denmark. All rights reserved worldwide.