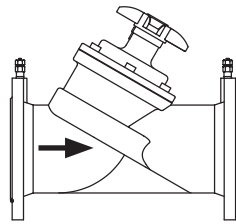
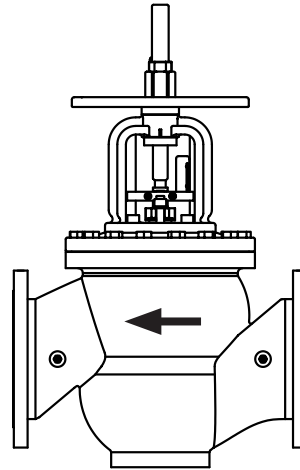


Operating Guide / Инструкция

MNF DN15 - 400

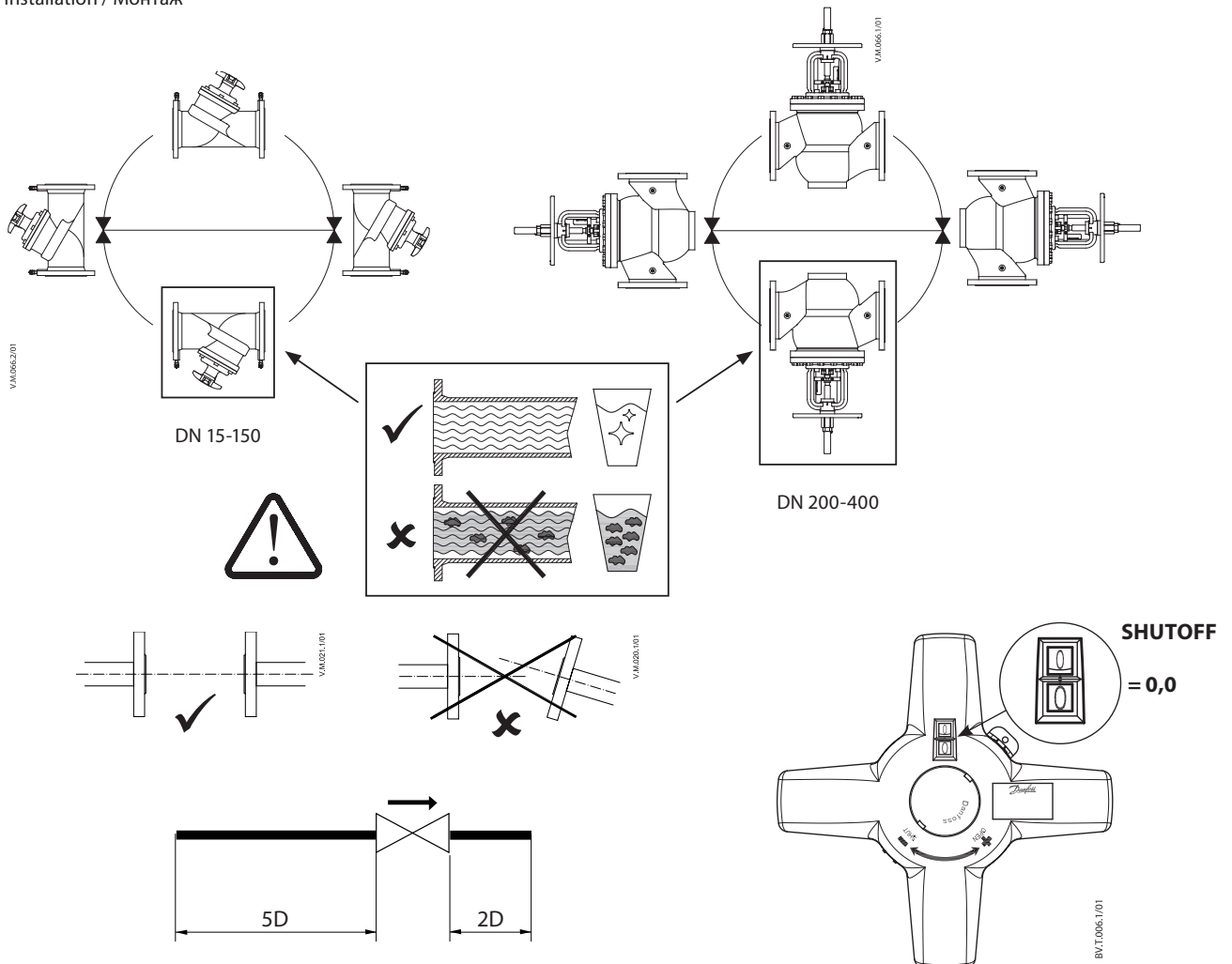


MNF DN 15-150

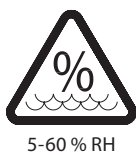
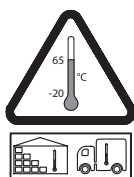


MNF DN 200-400

1 Installation / Монтаж

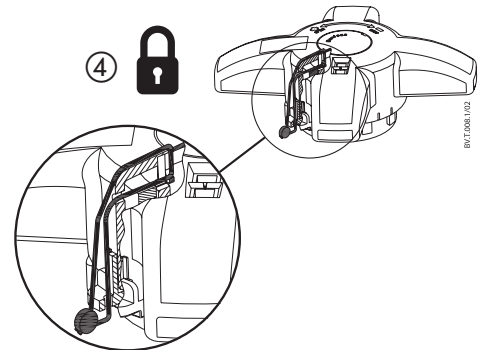
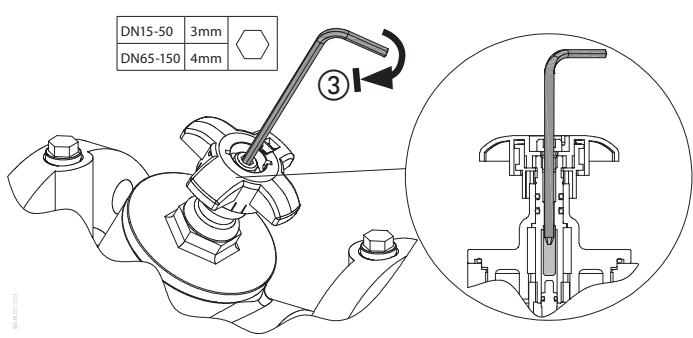
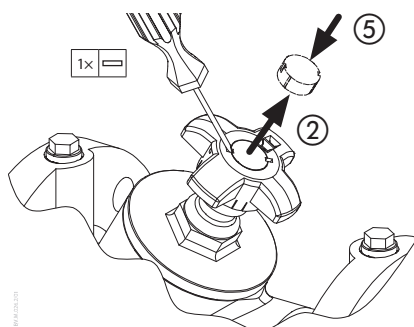
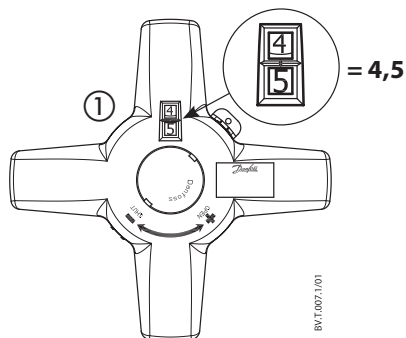


MNF

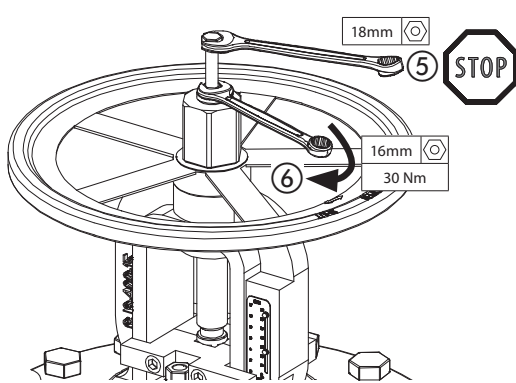
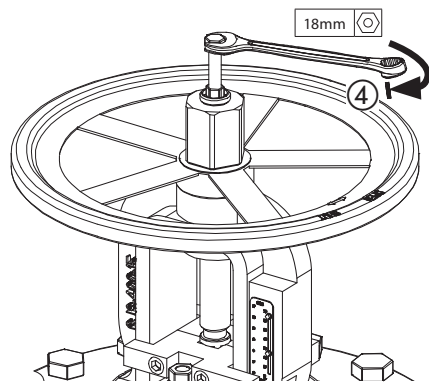
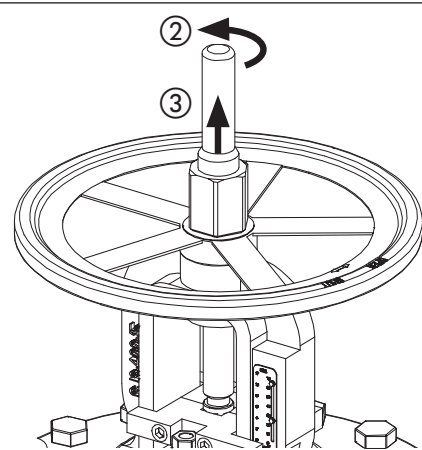
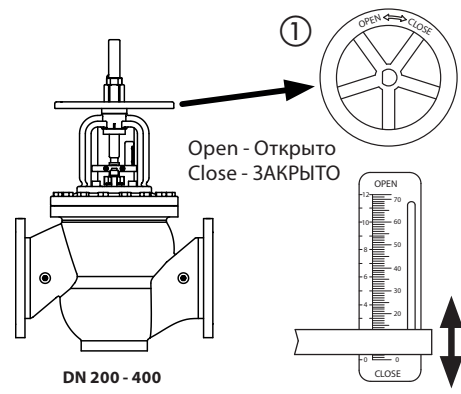


→ = AUTO			
→ =	2 - 2.5mm x 1mm	3 / 4 mm	16 / 18 mm

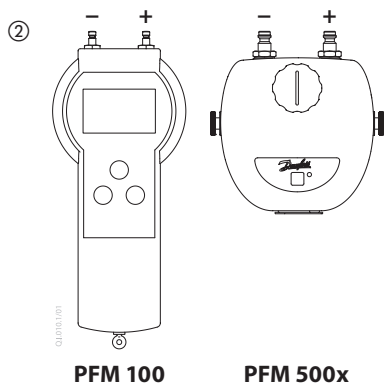
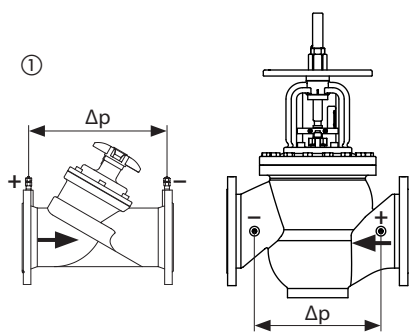
2 A Shut off / Отключение



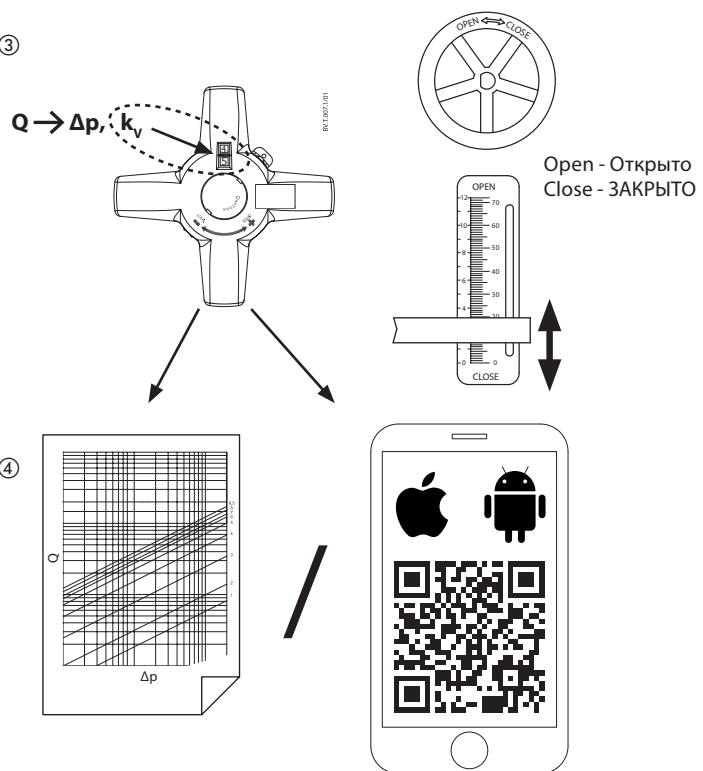
2 B



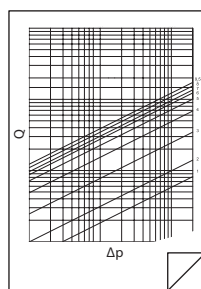
3



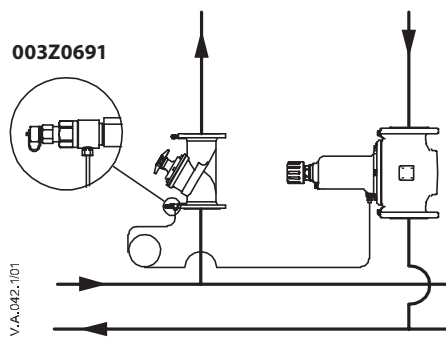
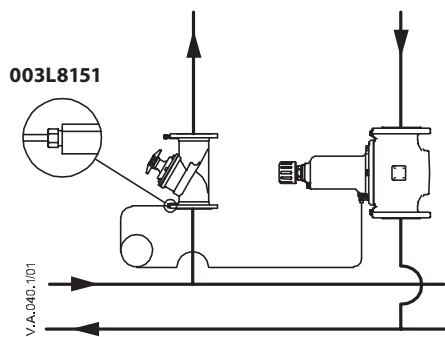
3



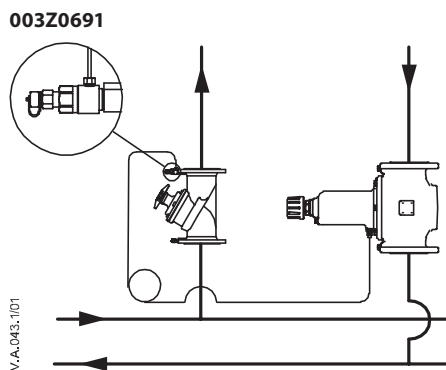
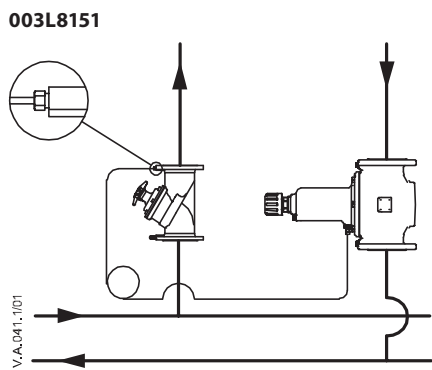
4



4



5





MNF

Setting / Настройка	Setting and kv value / Настройка и значение Kv															
	Valve size / Размер клапана															
	DN15	DN20	DN25	DN32	DN40	DN50	DN65	DN80	DN100	DN125	DN150	DN200	DN250	DN300	DN350	DN400
0.6	0.2	0.3	1.1	2.0	2.1	4.5	1.8	3.6	5.4	6.1	-	-	-	-	-	-
0.8	0.3	0.4	1.3	2.8	3.1	6	2.3	4.7	6.9	8.2	-	-	-	-	-	-
1	0.5	0.5	1.6	3.5	4.2	7.4	2.7	5.8	8.3	10.3	21.4	91	52.6	110.9	67.7	56.5
1.2	0.6	0.9	2.5	4.3	5.3	8.9	3.1	6.3	12.2	14.2	26.8	112.4	77.3	142.9	103.9	119.6
1.4	0.8	1.3	3.4	5.1	6.5	10.4	3.5	6.8	16.1	18	32.2	133.9	102.1	174.9	140.2	182.6
1.6	0.9	1.7	4.2	5.9	7.7	12	4.7	7.6	20.9	23	37.7	155.3	126.8	206.9	176.5	245.7
1.8	1.1	2.1	5.1	6.8	8.8	13.9	6.8	8.8	26.7	29.2	43.1	176.8	151.6	238.9	212.8	308.7
2	1.3	2.5	6.0	7.6	10.0	15.8	8.8	9.9	32.4	35.4	48.5	198.2	176.3	270.9	249.1	371.8
2.2	1.6	3.0	6.5	8.5	11.3	17.9	10.7	12.4	39.2	42.1	58.8	219.6	200.9	303.6	284.3	423.4
2.4	1.8	3.5	7.0	9.5	12.6	20	12.5	15	45.9	48.8	69	241	225.6	336.3	319.5	475.0
2.6	2.1	4.1	7.4	10.4	13.8	22.2	15.1	17.9	54	56.3	79.3	262.4	250.2	369	354.7	526.5
2.8	2.4	4.6	7.9	11.4	15.1	24.5	18.4	21.2	63.5	64.6	89.5	283.9	274.8	401.7	389.9	578.2
3	2.7	5.1	8.4	12.3	16.4	26.7	21.6	24.5	72.9	73	99.8	305.3	299.4	434.4	425.1	629.8
3.2	2.8	5.3	8.5	13.0	17.6	28.8	25.1	29	82.1	81.6	112.2	323.7	326.6	462.7	467.0	678.9
3.4	2.9	5.6	8.6	13.6	18.7	30.9	28.6	33.4	91.4	90.1	124.7	342.2	353.8	491	508.9	728.0
3.6	2.9	5.8	8.8	14.3	19.8	32.9	32.1	38.2	98.2	98.5	137.1	360.6	381	519.3	550.8	777.2
3.8	3.0	6.0	8.9	14.9	21.0	34.9	35.6	43.4	102.7	106.7	149.6	379	408.2	547.6	592.7	826.3
4	3.1	6.3	9.0	15.5	22.1	36.9	39.1	48.5	107.3	114.9	162	397.5	435.4	575.8	634.4	875.3
4.2					23.3	38.8	40.9	53.1	111.6	121.3	172.4	412.8	454.1	604.9	676.5	922.1
4.4					24.5	40.7	42.8	57.7	115.9	127.7	182.8	428.1	472.9	634	718.5	968.9
4.6					25.7	42.5	44.9	62.2	120.1	134.8	193.2	443.4	496.4	663.1	760.6	1015.7
4.8					26.9	44.4	47.4	66.8	124.2	142.7	203.6	458.7	524.8	692.2	802.7	1062.5
5					28.1	46.2	49.8	71.3	128.3	150.5	214	474	553.2	721.3	844.7	1109.3
5.2					29.0	47.5	51.5	74.5	133	156.9	223.4	485.3	572	748.2	884.1	1153.1
5.4					29.8	48.8	53.1	77.6	137.7	163.3	232.8	496.6	590.9	775.2	923.6	1197.1
5.6					30.6	50.3	54.9	80.7	142.6	170.2	242.1	507.9	609.8	802.2	963.1	1241.1
5.8					31.5	52	56.7	83.9	147.8	177.7	251.5	519.1	628.6	829.1	1002.4	1284.9
6					32.3	53.8	58.6	87	152.9	185.2	260.9	530.4	647.5	856.1	1041.9	1328.9
6.2							60.4	88.9	157.4	194	269.5	541.7	662.2	878	1077.6	1366.2
6.4							62.2	90.8	161.9	202.8	278.2	553	677	899.9	1113.2	1403.5
6.6							64.4	92.7	167.3	210.8	286.8	564.2	691.7	921.7	1148.7	1440.7
6.8							66.9	94.6	173.7	218	295.5	575.5	706.5	943.6	1184.4	1478.0
7							69.3	96.4	180.1	225.1	304.1	586.8	721.3	965.5	1220.0	1515.3
7.2							71.8	99	183.8	232.1	314.2	598.6	734.6	979.6	1249.9	1553.4
7.4							74.2	101.6	187.4	239	324.3	610.4	748	993.7	1279.9	1591.4
7.6							76.2	104.2	191.4	246.2	334.4	622.3	761.4	1007.8	1309.8	1629.4
7.8							77.6	106.7	195.7	253.6	344.5	633.7	774.8	1021.8	1339.5	1667.2
8							79.1	109.3	200	261.1	354.6	645.9	788.2	1035.9	1369.5	1705.2
8.2							80.9	111.1		269.4	361.8	651.4	800.8	1048.3	1393.2	1734.2
8.4							82.7	112.9		277.8	369	657	813.4	1060.6	1416.7	1763.0
8.6							84.5	114.7		284.4	376.2	662.5	825.9	1073	1440.5	1792.0
8.8							86.1	116.4		289.3	383.5	667.8	838.5	1085.3	1464.0	1820.8
9							87.8	118.2		294.2	390.5	673.6	851.1	1097.7	1487.8	1849.8
9.2							90	119.9		298.3	394.6	675.8	866.1	1105.8	1504.4	1873.3
9.4							92.3	121.5		302.4	398.7	677.9	881.1	1113.9	1521.1	1896.8
9.6												680.8	898	1124.8	1543.6	1928.4
9.8												684.4	916.7	1138.3	1571.4	1967.5
10												685.6	926.1	1142.8	1580.7	1980.6
10.2													926.2	1153.6	1596.5	2001.8
10.4													926.3	1164.3	1612.2	2022.9
10.6													926.5	1175.9	1629.3	2045.8
10.8													926.6	1188.4	1647.6	2070.4
11													926.7	1201	1666.1	2095.2
11.2													931.8	1215.5	1681.8	2116.4
11.4													937	1230.1	1697.7	2137.8
11.6													942.1	1244.6	1713.4	2159.0
11.8													947.2	1259.2	1729.2	2180.3
12													952.3	1273.7	1744.9	2201.6
12.2													1287.9	1764.9	2218.9	
12.4													1302	1784.9	2236.1	
12.6													1316.1	1804.8	2253.3	
12.8													1330.3	1824.8	2270.6	
13													1344.4	1844.7	2287.8	
13.2													1351.6	1875.6	2305.8	
13.4													1358.7	1906.0	2323.5	
13.6													1365.9	1936.8	2341.4	
13.8													1373.1	1967.6	2359.4	
14													1380.2	1998.0	2377.1	
14.2														2007.6	2407.1	
14.4														2437.2	2437.2	
14.6														2026.9	2467.2	
14.8														2036.5	2497.3	
15														2046.1	2527.4	
15.2															2538.8	
15.4															2550.3	
15.6															2561.7	
15.8															2573.1	
16															2584.6	

Note: It is recommended to size the valves between 20% and 80% of Kvs, in order to achieve good tolerances.
 Внимание: Для обеспечения наибольшей точности регулирования рекомендуется подбирать настройку в пределах от 20 до 80 % от Kvs клапана.