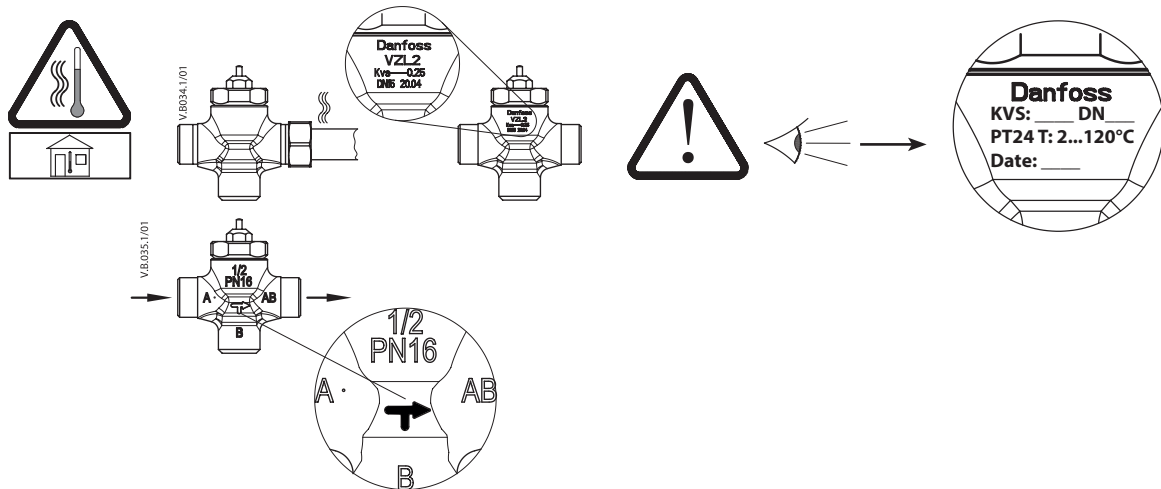
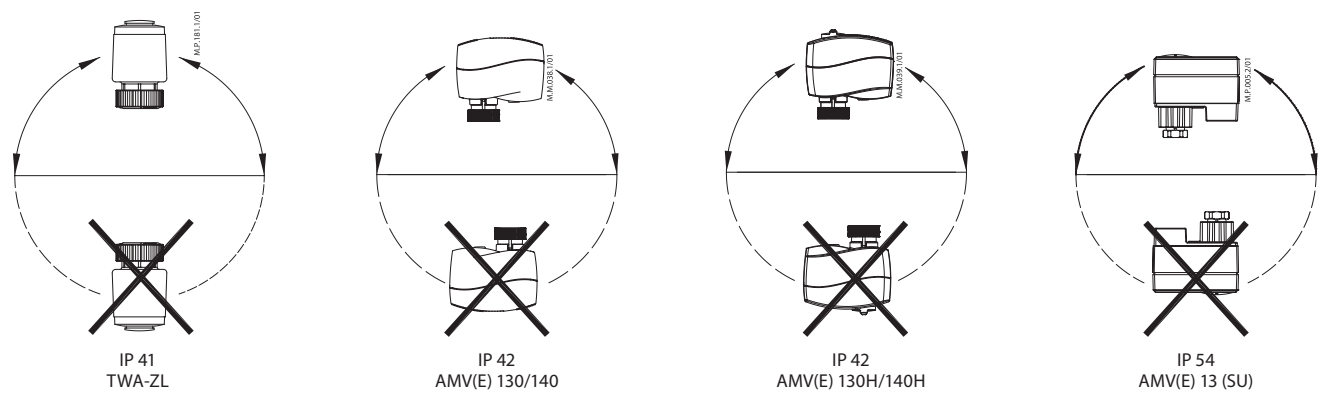
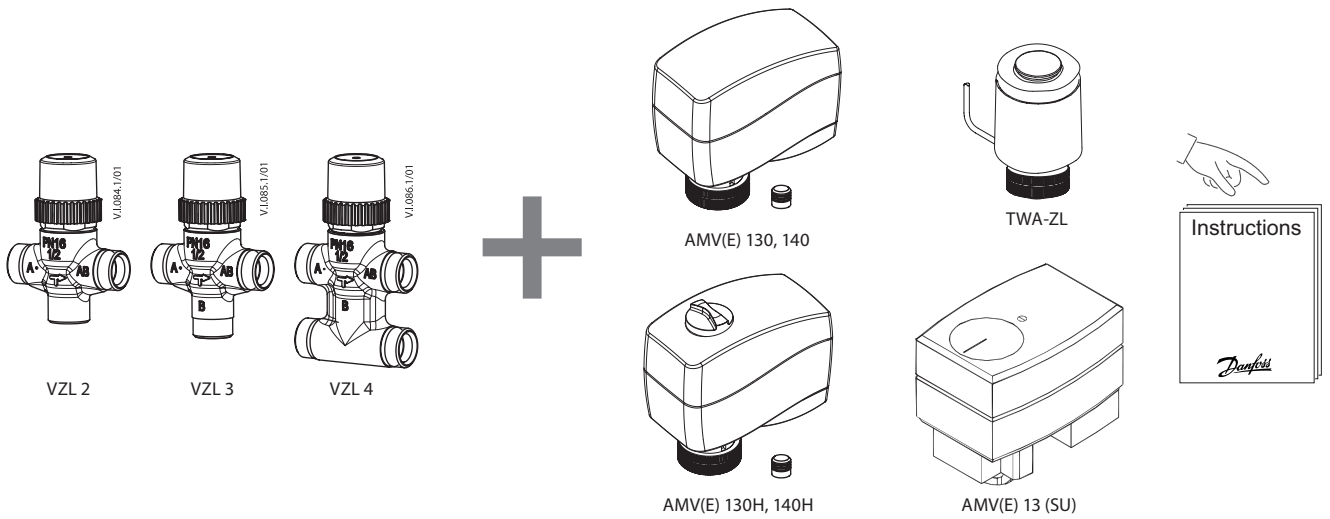
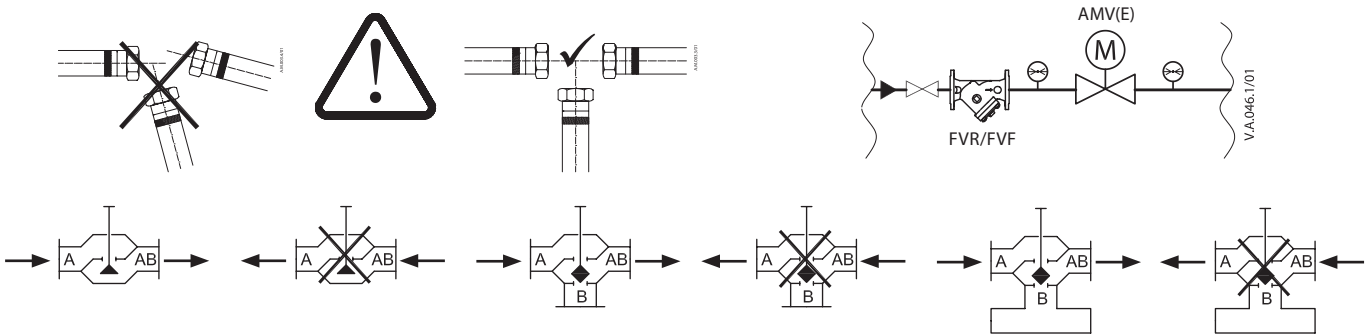
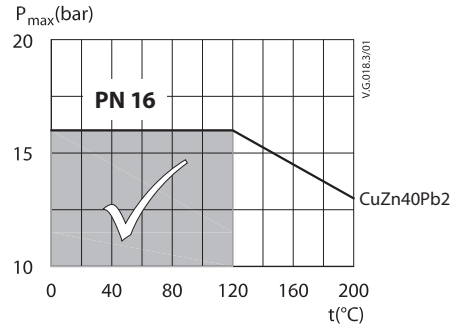
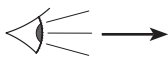


Operating Guide

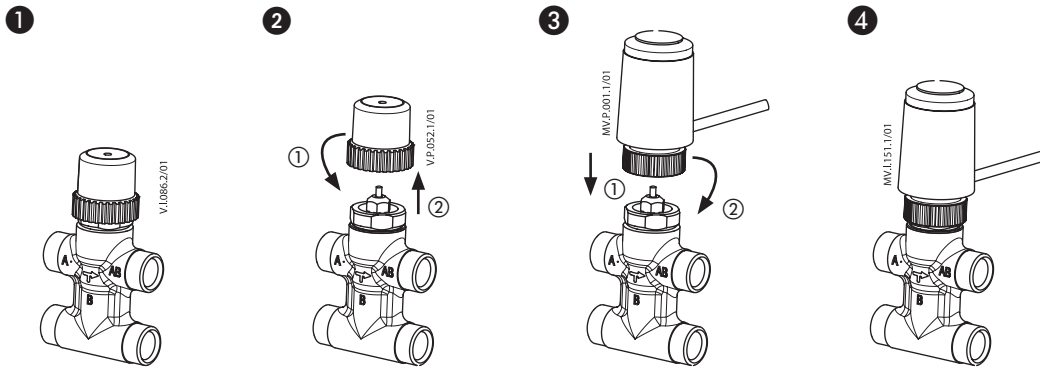
# VZL 2, VZL 3, VZL 4 DN 15-20



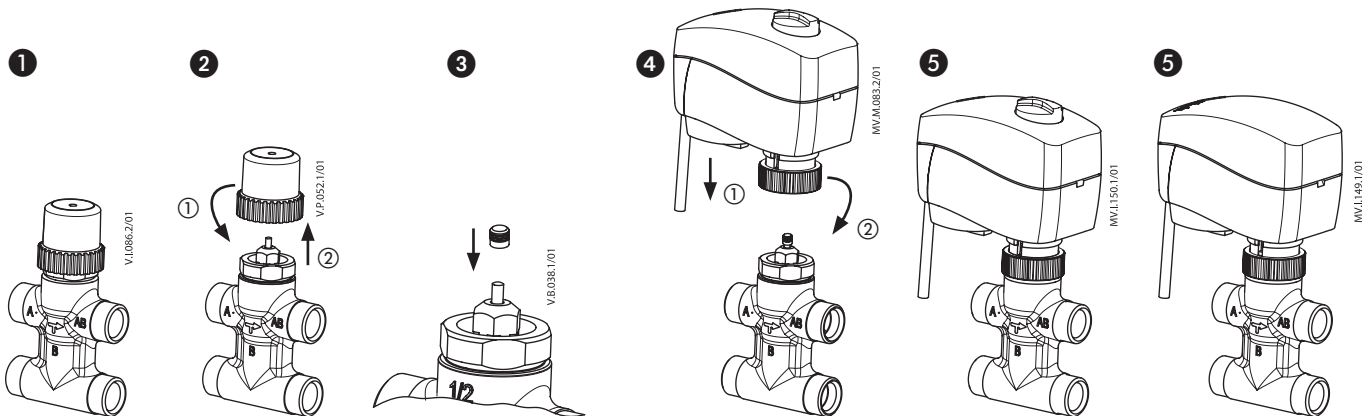
VZL 2, VZL 3, VZL 4



TWA-ZL + VZL

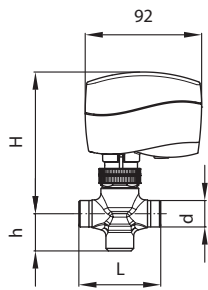
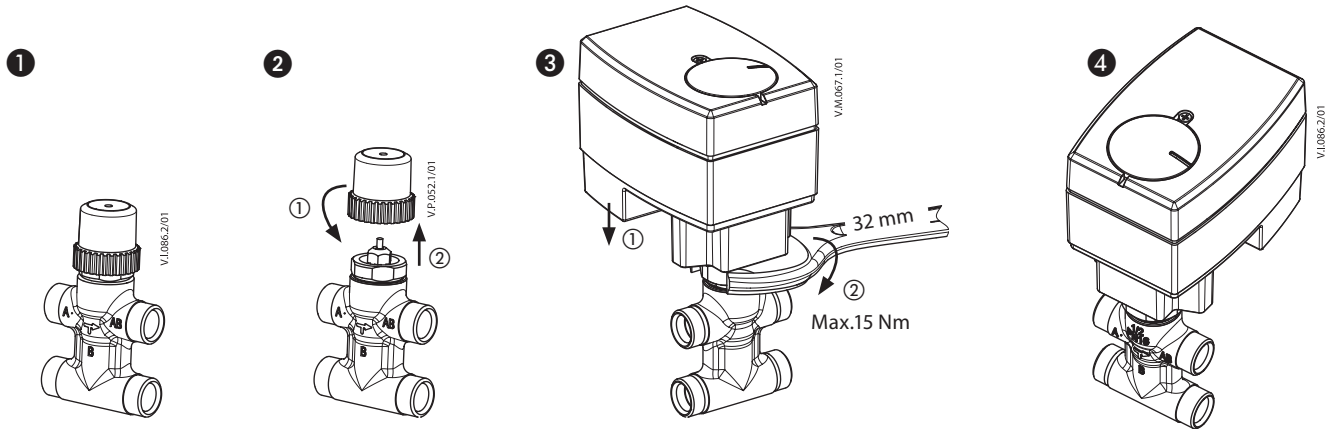


AMV(E) 130(H), 140(H) + VZL

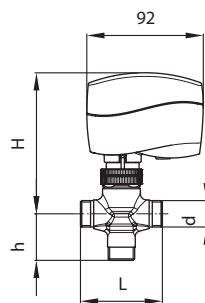


### VZL 2, VZL 3, VZL 4

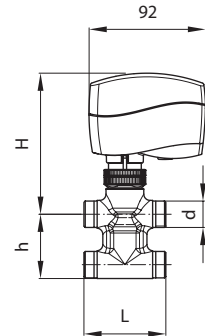
#### AMV(E) 13 SU + VZL



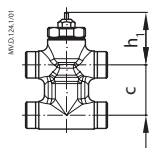
AMV(E) 130/140 + VZL 2



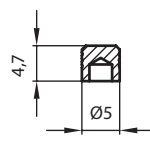
AMV(E) 130/140 + VZL 3



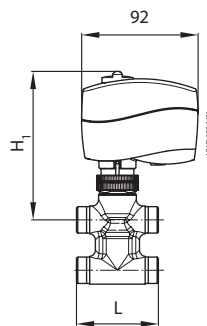
AMV(E) 130/140 + VZL 4



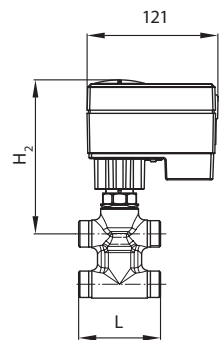
VZL valve



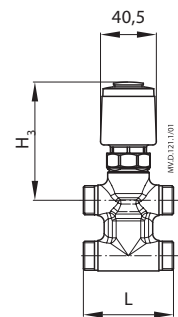
Stem extension plug



AMV(E) 130H/140H + VZL



AMV(E) 13 SU + VZL

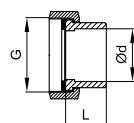


TWA-ZL + VZL

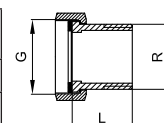
Type	d	mm							c	h	h <sub>1</sub>
		L	H	H <sub>1</sub>	H <sub>2</sub>	H <sub>3</sub>					
VZL 2 DN 15	G 1/2"	65	111	117	140	88	-	29,5	47,5		
VZL 2 DN 20 <sup>1)</sup>	G 3/4"	77	117	123	146	94		34,0			
VZL 3 DN 15	G 1/2"	65	111	117	140	88		35,0			
VZL 3 DN 20 <sup>1)</sup>	G 3/4"	77	117	123	146	94		35,0			
VZL 4 DN 15	G 1/2"	65	111	117	140	88	40	51,0	-		
VZL 4 DN 20 <sup>1)</sup>	G 3/4"	77	117	123	146	94	50	65,0			

<sup>1)</sup> conex valves DN 20 - G 1 1/8" 14 TPI

G	Ød (mm)	L (mm)
1/2"	12	15
3/4"	15	20



G	R (")	L (mm)
1/2"	3/8	23
3/4"	1/2	26





**VZL 2, VZL 3, VZL 4**

---